

## HD ACCESSORY BARS

RacksBrax HD Accessory Bars are used for transporting MAXTRAX® MKII, MAXTRAX® XTREME, TRED® Pro and ARB x TRED® Pro recovery boards on the side of a roof rack saving precious space on top of your roof racks for all your other gear, making them readily accessible for that fast extraction from a recovery situation. Using this product you can load or unload your recovery boards in seconds.

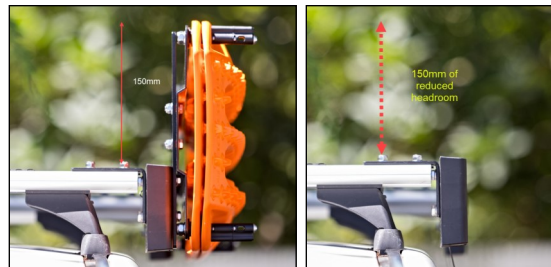
## USE RACKSBRAX HD ACCESSORY BARS WITH AND WITHOUT RACKSBRAX HD ACCESSORY PLATE

- a. HD Accessory Bars can be used alone with an HD Hitch on "platform style" roof racks where the HD Hitch support brackets to the roof rack can slide to the recovery board attachment spacing (distance "X" in **Figure 1** on inside). Note that when carrying 3 or 4 recovery boards the platform style rack may have some additional manufacturer requirements to spread the load across more than one platform slat, e.g. Rhino-Rack® Pioneer Platforms® and Tradie Trays® require an additional support bracket (i.e. the Pioneer® MAXTRAX® Support Bracket [Rhino-Rack® Product Code 43197]) to spread the load across 2 longitudinal platform slats.
- b. Bars can be used in conjunction with a RacksBrax HD Accessory Plate to increase height adjustment of the combination for added roof/door clearance (refer to **RB-INS-004 - HD Accessory Plate** assembly instructions).

## WHAT'S THE SECRET WITH BRACKETS, HEADROOM AND THE USE OF THE HD ACCESSORY BARS?

Down facing "L" brackets (low set) may be used to reduce headroom, but this may mean you need to use HD Accessory Bars to boost the height of the recovery boards to allow roof/door clearance. The advantage is when the recovery boards are removed, headroom can be minimised by up to 150mm.

**FIGURE 3** Roof rack bars WITH the added adjustment of HD Accessory Bars

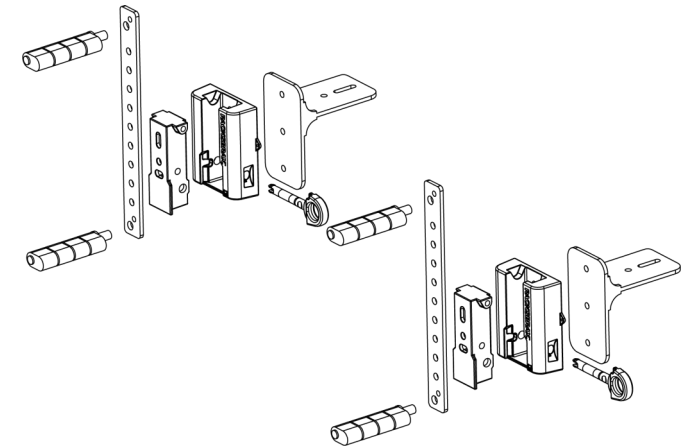


**FAST ON!  
FAST OFF!**

**RACKSBRAX®**

For more information on our other products, future releases and more, visit our website [www.racksbrax.com](http://www.racksbrax.com).

**RACKS  
BRAX®**



## HD ACCESSORY BARS (8173)

*Assembly and Mounting Instructions*

RB-INS-006 — HD Accessory Bars Rev 2

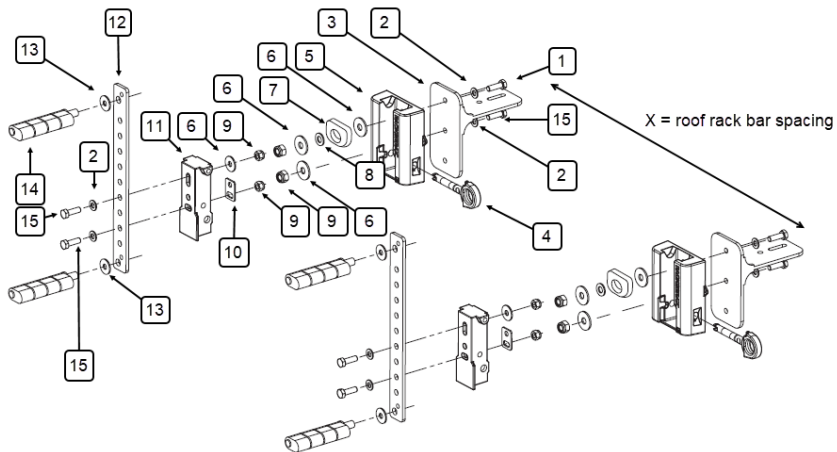
## WHAT YOU WILL NEED

- 2 x brackets** that are designed to fit your roof rack with M8 fastener hole centres at 40-53mm (on the vertical face of the bracket) with a cross section of at least 5mm x 40mm for each bracket.
- A **RacksBrax HD Hitch Standard** (8159) (at a minimum, sold separately).
- A RacksBrax HD Wall Mount (8160) (optional for wall-mounted storage, sold separately).
- A pair of **RacksBrax HD Accessory Bars** (8173) (this product).
- Recovery Board Mounting Pins** (e.g. by MAXTRAX® or TRED®, sold separately).

## ASSEMBLY INSTRUCTIONS (WITHOUT AN ACCESSORY PLATE)

- Fasten the brackets to your roof rack using the roof rack manufacturers' recommended fasteners.
- Bolt the Body of the RacksBrax HD Hitch to the bracket using the instructions provided with the HD Hitch Standard (RB-INS-001 - HD Hitch range). Particularly note the sequence of washers holding the Body to the bracket as it differs from the HD Hitch Standard instruction (including the rubber EDPM Buffer Washer-7 included in the Accessory Bar fastener pack). See items 6, 7, 8, 6 as shown in Figure 1 below.
- The HD Accessory Bars are adjustable up and down in 25mm increments.
- To determine the best adjustment height for the HD Accessory Bars, simply position the HD Hitch Holders in the saddles on the Hitch Body (already fitted to the roof rack brackets). Slide the bars up or down over the face of the Holder to pick a suitable height to fix the bars. You will need to ensure no clash between the bars and the roof, or doors, when the latter is open. Note you will need to allow an extra total clearance below the bars of **NOMINAL 50mm** to ensure adequate clearance when the recovery boards are fitted.
- Fasten each HD Accessory Bar to each Hitch Holder. Note the alternate washers 6 and 11 included in the Accessory Bar fastener pack differs from the HD Hitch Standard Instruction.
- Fasten the Recovery Board Mounting Pins (Pins by MAXTRAX® or TRED®) to the HD Accessory Bars ensuring that the anti-vibration rubbers (supplied) are threaded over the base of the shaft of the mounting pins prior to adding the recovery boards.
- Place the HD Accessory Bars/HD Hitch Holders in the Hitch Body and slide the recovery boards over the track mounting pins and fasten. Insert each HD Hitch Pin to secure the Hitch Holder and lock the barrel lock on each Hitch.
- To remove your tracks/bars combo for storage, just unlock the barrel lock, remove the Hitch Pins and lift all tracks off at once.
- If you have purchased the optional pair of Wall Mounts (8160), simply store your set of recovery tracks on the Wall Mounts.

**FIGURE 1** HD Accessory Bars mounted with HD Hitch and Recovery Board Mounting Pins



**FIGURE 2** Recovery boards and HD Accessory Bars mounted to an HD Hitch



Part	Qty	Code
1 Hex M8 25mm Set Screw (Grade 304)	2	3846-03036
2 Round Washer M8 (16mm x 1mm) (Grade 304)*	8	3846-03033
3 Bracket with M8 hole centres 43-50mm by others***	2	Not provided
4 RacksBrax HD Hitch Pin*	2	3846-01003
5 RacksBrax HD Hitch Body*	2	3846-01001
6 Round Washer M8 (24mm x 2mm) (Grade 304)	8	3846-03034
7 Buffer Washer (30mm x 24mm x 3mm)(EDPM)	2	3846-01026
8 Round Washer M8 (16mm x 3mm) (Grade 304)	2	3846-01027
9 Hex M8 Nut Nylon Insert (Grade 304)*	8	3846-03035
10 Holder Washer (2mm x 32mm x 22.5mm) (Grade 304)	2	3846-01013
11 RacksBrax HD Hitch Holder*	2	3846-01002
12 RacksBrax Accessory Bar	2	3846-02022
13 MAXTRAX Mounting Pin Washer (30mm x 3mm) (EDPM)**	4	3846-02022
13 TRED Mounting Pin Washer (25mm x 6mm) (EDPM)**	4	3846-03039
14 Recovery Board Mounting Pin (MAXTRAX or TRED)***	4	Not provided
15 Hex M8 20mm Set Screw (Grade 304)*	6	3846-03032
- Hex M8 30mm Set Screw (Grade 304)*	4	3846-03037
- Hex M8 Nut Nylon Insert (Grade 304)*	2	3846-03035
- Round Washer M8 (16mm x 1mm) (Grade 304)*	4	3846-03033

\* Included in HD Hitch purchased separately. \*\* Suits either MAXTRAX or TRED Mounting Pin shaft. \*\*\* Purchased separately. + Extra set screws for Accessory Plate and Accessory Bars when combined.